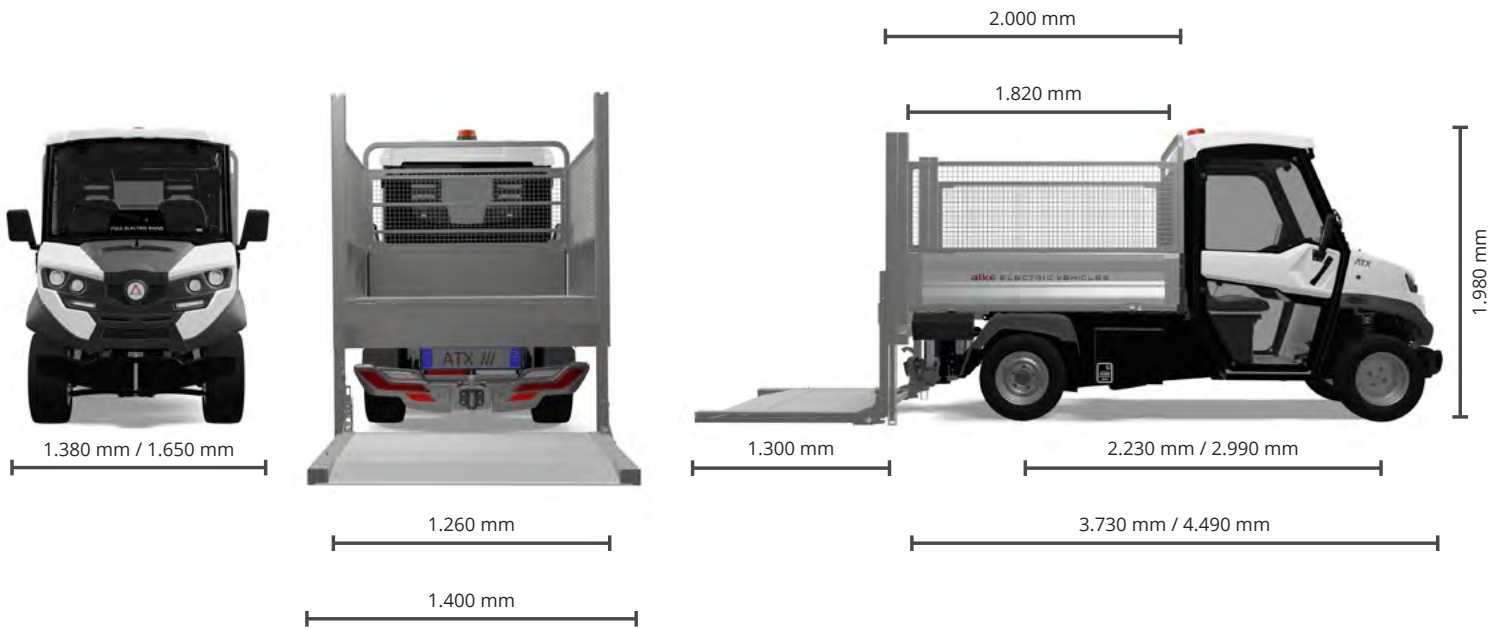


ATX BOX VAN BODY WITH SLIDING DOORS

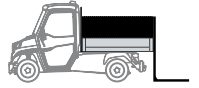


TL1



compatible models		ATX 330EH/EDH ATX 340EH/EDH	
N1 road homologation			
model	length	height	
ATX 330EH	[mm] 3.730	1.980 (with standard tyres)	
ATX 330EDH	[mm] 4.490		
ATX 340EH	[mm] 3.730	1.980 (with standard tyres)	
ATX 340EDH	[mm] 4.490		
width of vehicle (with wing mirrors closed / open)		[mm]	1.380 / 1.650
loading capacity of vehicle is given by the load capacity (chassis) of the model on which is mounted the module less the weight of the module and optionals/accessories			
		rear column tail lift	
		swinging and folding aluminium platform	
		mounted on 2.000 mm x 1.400 mm dropside body with:	
		<ul style="list-style-type: none"> • cargo bulkhead • dropside body with manual tipping H30 cm aluminium drop sides • mesh sides extension H55 cm 	
tail lift module		module: load area (internal dimensions)	[mm] 1.820 x 1.260
		module: length	[mm] 1.400
		module: weight	[kg] 370
		module: platform's load capacity	[kg] 500
		module: platform's length	[mm] 1.300

• as standard Δ optional ! compatible but not type-approved for road circulation
— not available



optionals and accessories

external pushbutton for outboard operations	•
amber LED beacon light mounted on top of the cab	Δ

NOTE

This module is powered by the battery of the vehicle therefore can affect the autonomy of the vehicle itself.

For all the other data refer to the technical specs of the model on which is fitted the module.

The technical specifications, design and performance of the products listed in this technical sheet are indicative and may undergo modifications without forewarning.



Via Cile, 5
35127 Padua | Italy



+39 049 761208



info@alke.com

WWW

www.alke.com



• as standard Δ optional ! compatible but not type-approved for road circulation
— not available

© 2019 Alkè

Rev. 190204



ISO 9001:2015 - BN17607/17301
ISO 14001:2015 - BN17607/17302
OHSAS 18001:2007 - BN17607/17303

The technical specifications, design and performance levels indicated in this technical data sheet are by way of example only and may be subject to modifications without prior notice.